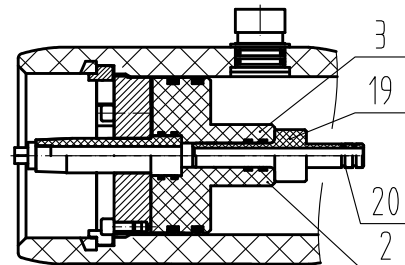
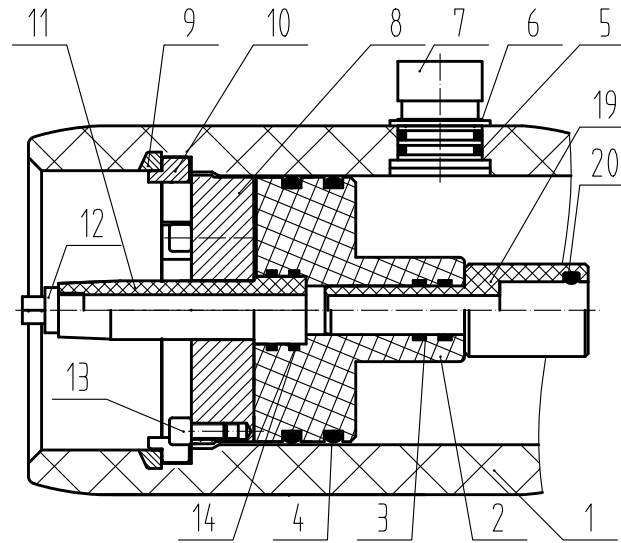


1200
PSI

*Standard Mode

20	12.5x1.8GGB/T3452.1-2005 19x2.65G GB/T3452.1-2005	O-Ring	4	EPDM	
19	4021.1 4021	Adapter	2	ABS	
18	GB/T170.1-2000 M6x25	Interlock Screw	4	316SS	
17	4010	Saddle	2~3	NR	
16	GB/T5782-2000 M8x60	Strap Screw	4~6	316SS	
15	4008.2	Strap	2~3	316SS	
14	25x2.65G GB/T3452.1-2005	O-Ring	4	EPDM	
13	GB/T170.1-2000 M6x10	Locking Segment Screw	6	316SS	
12	4013	Plug	1	ABS	M12
11	4022	Permeate Part	2	ABS	
10	4024	Locking Kit Segment	6	2024	
9	4058	Embedded Ring	2	316SS	
8	4019	Bearing Plate	2	6061 T6	
7	4042	Feed/Conc. Part	2~4	316LSS* 2205SS	OPT
6	4005	Retaining Ring	2~4	316SS	
5	28x2.65G GB/T3452.1-2005	O-Ring	4~8	EPDM	
4	90x5.3G GB/T3452.1-2005	O-Ring	4	EPDM	
3	4020.1 4020	Sealing Plate	2	ABS	For Interl Flat Membrane
2	14x2.65G GB/T3452.1-2005 17x2.65G GB/T3452.1-2005	O-Ring	4	EPDM	
1	4016.19-24	Pressure Shell	1	FRP	OPT for Blue or White
Ref.	Part Number	Description	Qty.	Material	Note



For Interl Flat Membrane

NOTE:

- 1 Design pressure 1200PSI(8.4MPa)
- 2 Design temperature 150°F(66°C)
- 3 Min. allowable temperature 14°F(-10°C)
- 4 Working medium, sea water or brackishwater
- 5 Internal permeate pressure not to exceed 125psi
- 6 Please operate in accordance with User Manual
- 7 Subject to change without notice. Check with ROPV to confirm current drawing.

Shell length code	Shell number	L		P		S		Approx assembly weight KG/LB
		L.O.A MM/IN	Port to port MM/IN	Port to port MM/IN	Span MM/IN	Span MM/IN	Span MM/IN	
1	4016.19	1374/54.1	1036/40.8	600/23.6				17/38.3
2	4016.20	2390/94.1	2052/80.8	1200/47.2				29/65.3
3	4016.21	3406/134.1	3068/120.8	2200/86.6				41/92.3
4	4016.22	4422/174.1	4084/160.8	1600/63x2				54/121.6
5	4016.23	5438/214.1	5100/200.8	2300/90.6x2				66/148.6
6	4016.24	6454/254.1	6116/240.8	2700/106.3x2				78/175.7

ROPV	DESIGN	X W Liu 2008.04.08	Harbin ROPV Industry Development Center		
	REVIEW	J B An 2008.04.08		MODEL	R40B1200S PRESSURE VESSEL
	APPROVAL	Y C Li 2008.04.08		DWG	R40B1200S-00